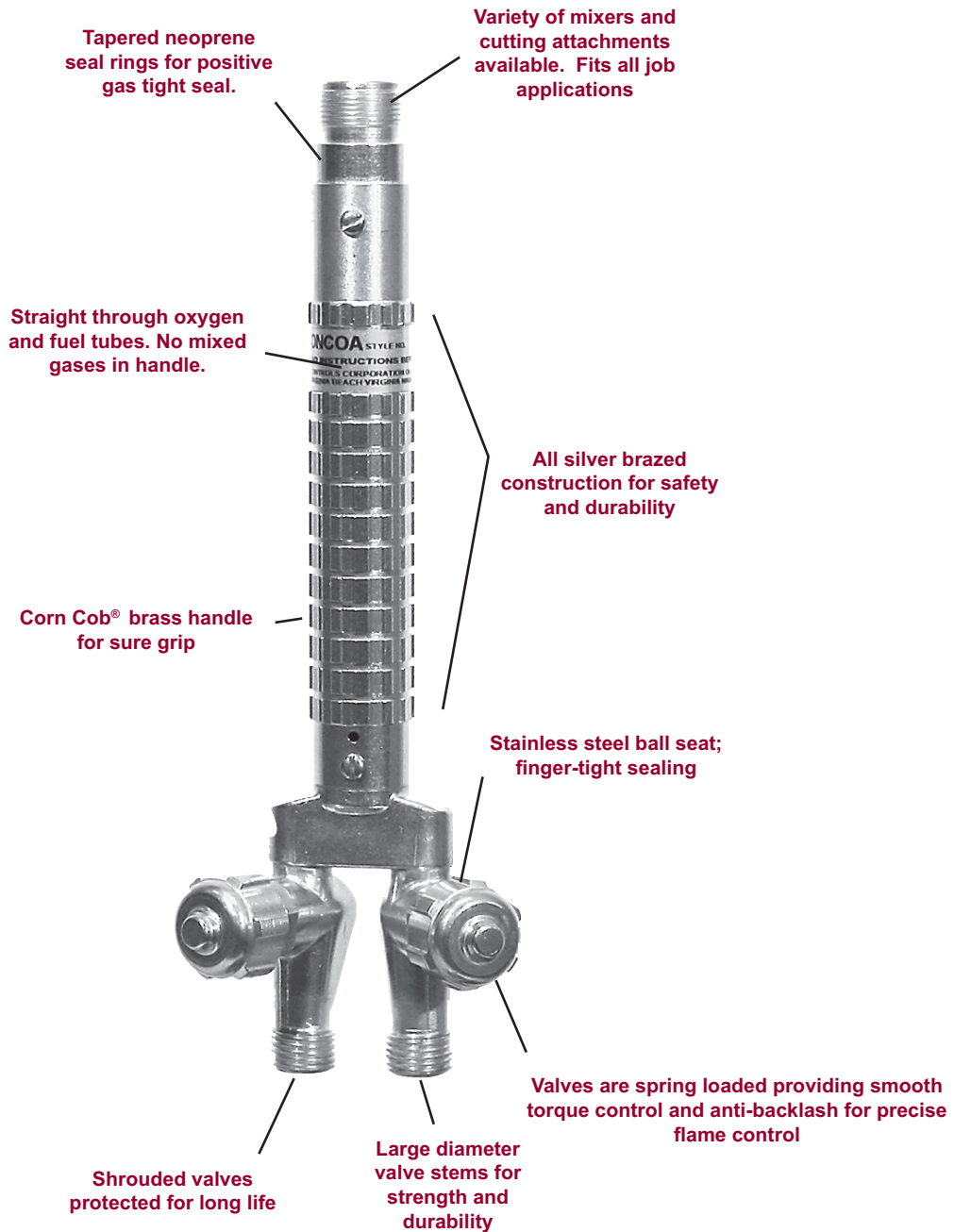


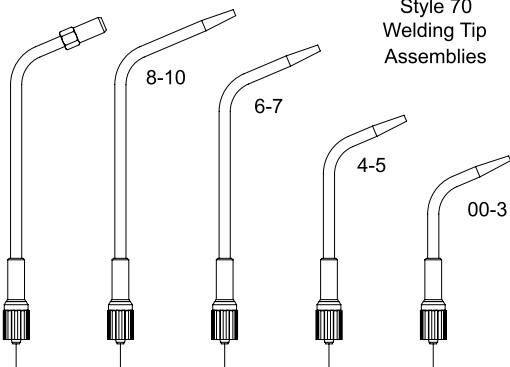
## 750 Torch Handle & Attachments



# Cutting Handles



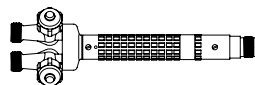
Style 761  
Replacement Heads  
Size 5 to 10



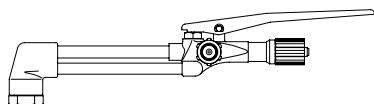
Style 70  
Welding Tip  
Assemblies

Style 760  
Universal  
Heating Tip  
Assemblies  
Size 5 to 10

Style 750 Torch



Style 4700 & 5700  
Cutting Attachment



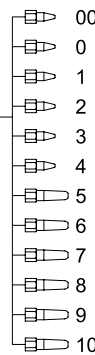
All 3/4" 3 Land  
Cutting Tips  
For All Fuels

Mixer  
810 0781  
Size 1 to 10  
(3/8-20F)  
Mixer  
810 0780  
Size 00 to 5  
(3/8-20F)

811 0414

Extensions  
(3/8-20m  
x  
1/4-32m)

810 5701

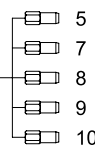


Style 9  
Welding  
Tips  
Sizes  
00-10  
(1/4-32F)

811 1411

Extensions  
(3/8-20m  
x  
5/16-24m)

810 0829



Style 759  
Multi-Flame  
Heating Tips  
Sizes  
5-10  
(5/16-24F)

811 1412

8-10

6-7

4-5

00-3

Style 98  
Separable Tip  
Sizes  
00-10  
(3/8-20m)

Attachments  
& Handles