



# Manifolds

# 529 SERIES

## Protocol Station

The 529 Series Protocol Station is designed for the convenient wall mounting of any CONCOA high purity regulator. Wall mounting of a regulator provides ease of use, prevents regulator damage, and improves safety. The 529 Series Protocol Station is available in either chrome-plated brass or 316 stainless steel construction, as specified by the regulator series. This option comes complete with a 3 ft (900mm) stainless steel flexible hose with armor casing.



529 0126 shown with regulator (sold separately)

### Features

**Plugged Port in Gas Block**

Facilitates purging

**Integral Check Valve at Inlet**

No internal contamination during cylinder change

**Bracket Mounts**

Attaches conveniently to any surface

**Connections**

CGA, DIN 477, BS 341 and others available

### Materials

**Protocol Tee**

Brass, chrome-plated brass or 316L stainless steel barstock

**Flexible Hoses**

316L stainless steel inner core  
Monel® inner core for oxygen service  
PTFE inner core for 6000 PSIG (405 BAR)

**Inlet Connection**

316L stainless steel or brass barstock

**Check Valve 'O' Ring**

Viton® (or neoprene for ammonia)

**Bracket**

304 stainless steel

### Specifications

**Maximum Inlet Pressure**

3500 PSIG (240 BAR)  
4500 PSIG (310 BAR) optional  
6000 PSIG (415 BAR) optional

**Temperature Range**

-40°F to 140°F (-40°C to 60°C)

**Weight (Single Stage)**

3.1 lbs. (1.4 kg)

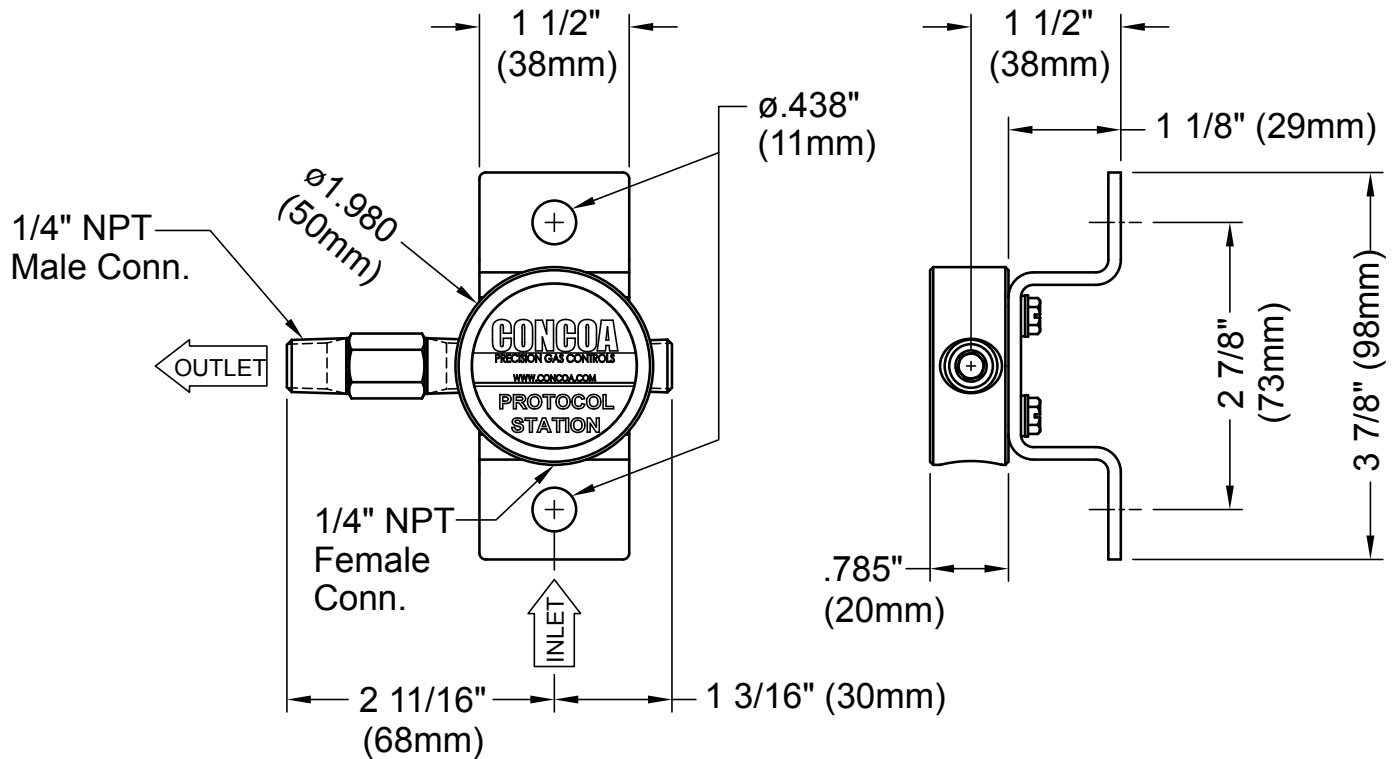
**Weight (Dual Stage)**

3.5 lbs. (1.6 kg)

# Manifolds



## Installation Dimensions



529 0101 Dimensions Shown

## Ordering Information

Order Number	Description
Add letter "M" after any regulator order number.	For example, 422 1331-580 with a protocol station wall mount, the order number would be 422 1331-580M
<b>To order separately:</b>	
529 0101-CON	Protocol station for single stage brass regulators with 3500 PSIG (240 BAR) max inlet pressure
529 0102-CON	Protocol station for single stage chrome-plated brass regulators with 3500 PSIG (240 BAR) max inlet pressure
529 0103-CON	Protocol station for single stage 316L stainless steel regulators with 3500 PSIG (240 BAR) max inlet pressure
529 0104-CON	Protocol station for dual stage brass regulators with 3500 PSIG (240 BAR) max inlet pressure
529 0105-CON	Protocol station for dual stage chrome-plated brass regulators with 3500 PSIG (240 BAR) max inlet pressure
529 0106-CON	Protocol station for dual stage 316L stainless steel regulators with 3500 PSIG (240 BAR) max inlet pressure
529 0121-CON	Protocol station for single stage brass regulators with 4500 PSIG (310 BAR) max inlet pressure
529 0122-CON	Protocol station for single stage chrome-plated brass regulators with 4500 PSIG (310 BAR) max inlet pressure
529 0123-CON	Protocol station for single stage 316L stainless steel regulators with 4500 PSIG (310 BAR) max inlet pressure
529 0124-CON	Protocol station for dual stage brass regulators with 4500 PSIG (310 BAR) max inlet pressure
529 0125-CON	Protocol station for dual stage chrome-plated regulators with 4500 PSIG (310 BAR) max inlet pressure
529 0126-CON	Protocol station for dual stage 316L stainless steel regulators with 4500 PSIG (310 BAR) max inlet pressure
529 0133-CON	Protocol station for single stage regulators with 6000 PSIG (405 BAR) max inlet pressure