



529 SERIES

Protocol Switchover Station

The 529 Series Protocol Switchover Station combines all of the safety and convenience features of a standard Protocol Station with the added efficiency of having a reserve cylinder connected to the system. The Protocol Switchover Station valving allows manual switching and isolation of the depleted cylinder for safe change-out. The system comes complete with Protocol Station, two 3 ft (900mm) all stainless steel hoses with armor casing, and two valves (diaphragm for 3500 PSIG/240 BAR or needle for 4500 or 6000 PSIG/310 or 405 BAR).



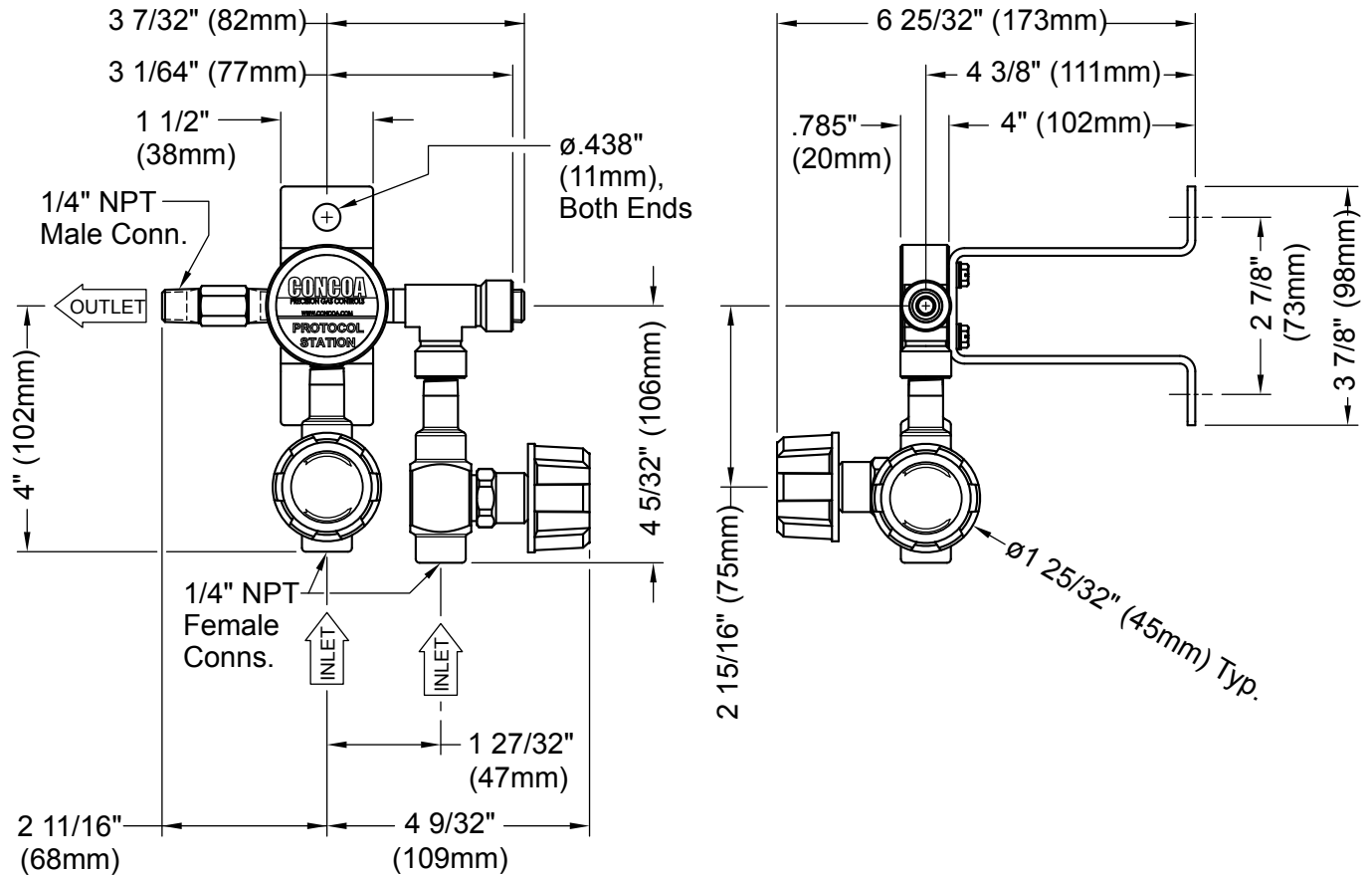
529 0154 shown with regulator (sold separately)

Features	Materials	Specifications
<p>Plugged Port in Gas Block Facilitates purging</p> <p>Integral Check Valve at Inlet No internal contamination during cylinder change</p> <p>Bracket Mounts Attaches conveniently to any surface</p> <p>Connections CGA, DIN 477, BS 341 and others available</p>	<p>Protocol Tee Brass, chrome-plated brass or 316L stainless steel barstock</p> <p>Flexible Hoses 316L stainless steel inner core Monel® inner core for oxygen service PTFE inner core for 6000 PSIG (405 BAR)</p> <p>Inlet Connection 316L stainless steel or brass barstock</p> <p>Check Valve 'O' Ring Viton® (or neoprene for ammonia)</p> <p>Bracket 304 stainless steel</p>	<p>Maximum Inlet Pressure 3500 PSIG (240 BAR) 4500 PSIG (310 BAR) optional 6000 PSIG (415 BAR) optional</p> <p>Temperature Range -40°F to 140°F (-40°C to 60°C)</p> <p>Weight (Single Stage) 3.6 lbs. (1.4 kg)</p> <p>Weight (Dual Stage) 4.0 lbs. (1.6 kg)</p>

Manifolds



Installation Dimensions



529 0154 Dimensions Shown

Ordering Information

Order Number	Description	Max Inlet
Add letter "C" after any regulator order number.		
For example, to order a 422 1331-580 with a protocol switchover, the order number would be 422 1331-580C		
To order separately:		
529 0154-CON	Protocol switchover station for brass regulators	3500 PSIG (240 BAR)
529 0155-CON	Protocol switchover station for chrome-plated brass regulators	3500 PSIG (240 BAR)
529 0156-CON	Protocol switchover station for 316L stainless steel regulators	3500 PSIG (240 BAR)
529 0157-CON	Protocol switchover station for brass regulators	4500 PSIG (310 BAR)
529 0158-CON	Protocol switchover station for chrome-plated brass regulators	4500 PSIG (310 BAR)
529 0159-CON	Protocol switchover station for 316L stainless steel regulators	4500 PSIG (310 BAR)
529 0160-CON	Protocol switchover station for 316L stainless steel regulators	6000 PSIG (405 BAR)