



52L SERIES

MicroManifold

The 52L Series MicroManifold is a flexible non-corrosive gas distribution system that can be configured as a gas or vent manifold. Configured as a gas manifold, the 52L offers excellent gaseous flow capacity from either liquid cans or high-pressure cylinders to a CONCOA pressure control device. Configured as a vent manifold, the 52L equalizes the head space pressure of each liquid cylinder manifolded together. This allows each cylinder to withdraw equally and operate at maximum flow capacity with minimal losses.

Advanced Features

- Vent manifold excess flow orifices prevent hoses from whipping
- Safety disk protects manifold from over-pressurization
- Compact modular design provides simple field expandability
- Multiple cylinder hose options with universal gas compatibility
- Integrated 1/2" MPT connector that reduces potential leak sites
- A flexible design that can be used with a 538, 539, 542, and 544 series switchovers or as a vent kit for 577 cryogenic system.



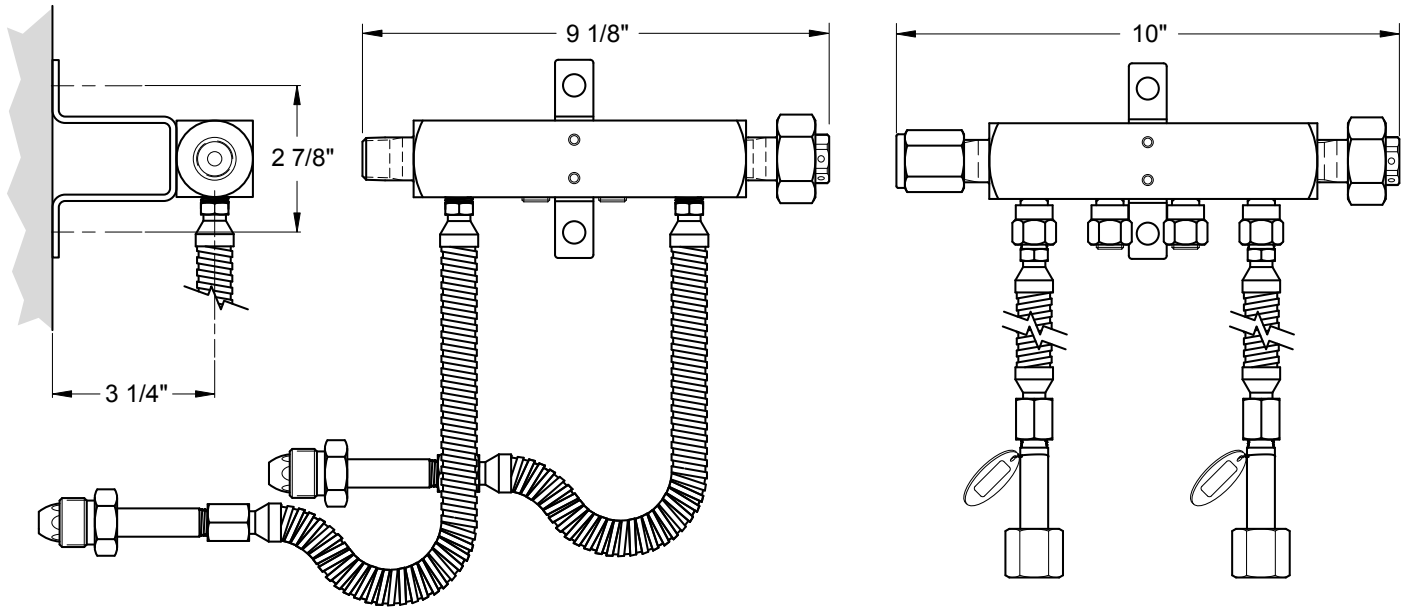
52L 1053-580 Shown

Features	Materials	Specifications
<p>Gas Delivery and Vent Manifold from Liquid Cylinder Supply Argon, Carbon Dioxide, Nitrogen, and Oxygen</p> <p>Gas Delivery from High Pressure Cylinder Supply Air, Argon, Carbon Dioxide, Helium, and Oxygen</p> <p>Expandable System Future growth capability</p> <p>High Flow Gas Installations Laboratory building main supply Large incubator installations High flow purge gas supply Bioreactor supply</p>	<p>Body Brass barstock body</p> <p>Flexible Hoses 316L stainless steel Monel® inner core for oxygen service</p>	<p>Maximum Inlet Pressure 4500 PSIG (310 BAR)</p> <p>Temperature Range 0°F to 140°F (-18°C to 60°C)</p> <p>Inlet Connection Four 1/4" FPT One 1/2" FPT</p> <p>Outlet Connection 1/2" MPT</p> <p>Weight (manifold and mounting bracket) 4.20 lbs. (1.91 kg)</p>

Manifolds



Dimensions



52L-1152-580 MicroManifold

52L-21A2-295 Vent MicroManifold

Ordering Information

52L	A	B	C	D	Inlet
Series 52L	Manifold Type	Orientation	Hoses Style	Cylinder side	Connection
	1: MicroManifold (No Gauges)	0: Simplex right bank	0: No hose	1: One	Please specify inlet connection Use -001 for hoses option 0.
	2: Vent MicroManifold (No Gauges)	1: Simplex left bank	3: 72" (1800mm) flexible stainless steel core and armor cased**	2: Two	
	3: MicroManifold 0-400 PSIG/0-2500 kPa gauges	2: Duplex right and left bank	5: 36" (900mm) flexible stainless steel core and armor cased**	3: Three	Use CGA 295 or 622 for hose option A
	4: MicroManifold 0-600 PSIG/0-40 BAR gauges	3: Simplex right bank with pressure switch gauge*	7: 24" (600mm) flexible stainless steel core and armor cased**	4: Four	CGA DIN 477 BS 341 and others available
	5: MicroManifold 0-4000 PSIG/0-2500 kPa gauges	4: Simplex left bank with pressure switch gauge	A: 72" (1800mm) flexible stainless steel-braided with PTFE lining inert or Carbon Dioxide†	5: Five	
	6: MicroManifold 0-4000 PSIG/0-280 BAR gauges	5: Duplex right and left bank with pressure switch gauge*	B: 72" (1800mm) flexible stainless steel-braided with PTFE lining for Oxygen†	6: Six	Use CGA 440 for hose option B
	7: MicroManifold 0-6000 PSIG/0-40,000 kPa gauges	*Valid with A= 4, 6, and 8	K: 72" (1800mm) stainless steel core and armor cased 4500 PSIG (310 BAR)††	7: Seven	
	8: MicroManifold 0-6000 PSIG/0-420 BAR		L: 36" (900mm) stainless steel core and armor cased 4500 PSIG (310 BAR)††	8: Eight	
			**Valid with A= 1, 3, 5, and 6	0: Zero	
			†Valid with A= 2		
			††Valid with A= 1, 7, or 8		

Options and Hoses

Option	Order Number	Description
Burst Disk Kit	829-9960	1/2" MPT replacement burst disk kit
Floor Stand	830-7437	Single manifold floor stand provides support for up to two consecutive manifold extensions
Vacuum Jacketed Hoses	551-2000	36" (900mm) Vacuum-jacketed cryogenic hose
	551-2001	48" (1200mm) Vacuum-jacketed cryogenic hose
	551-2002	75" (1900mm) Vacuum-jacketed cryogenic hose