



400 Series Regulators

405 SERIES

The 405 Series regulators are intended for secondary pressure control of non-corrosive, high purity or liquefied gases or as point of use pressure control in high purity gas distribution systems.

- Single Stage
- Brass Barstock Body
- Four Port Configuration
- 316L Stainless Steel Diaphragm

Typical Applications

Bulk gas distribution systems

Gas and liquid chromatography

High purity carrier gases

Zero, span, and calibration gases

High purity chamber pressurization

Liquefied hydrocarbon gas control

Control of cryogenic gases



405 2021-000 shown

Features

Metal-to-Metal Diaphragm Seal

No possibility of gas contamination

CAPSULE® Seat

Increased serviceability and life

Brass Barstock Body

Smooth surface finish

Front and Rear Panel-Mountable

Versatile system configuration

Pressure Ranges 0-15 to 0-500 PSIG (0-1 to 0-34 BAR)

Broad range of applications

3000 PSIG (210 BAR) Inlet Pressure Rating

Safe use with high pressure cylinders

Pipe Away Relief Valve

Safely vents exhaust gases

Materials

Body

Brass barstock

Bonnet

Brass barstock

Seat

PTFE

Filter

10 micron sintered bronze

Diaphragm

316L stainless steel

Internal Seals

PTFE

Specifications

Maximum Inlet Pressure

3000 PSIG (210 BAR)

Temperature Range

-40°F to 140°F (-40°C to 60°C)

Gauge

2" (53mm) diameter brass

Ports

1/4" FPT

Helium Leak Integrity

1 x 10⁻⁹ scc/sec

Cv

0.1 Max outlet 50 PSIG (3.5 BAR) or below

0.2 Max outlet above 50 PSIG (3.5 BAR)

See page 189 for flow curves

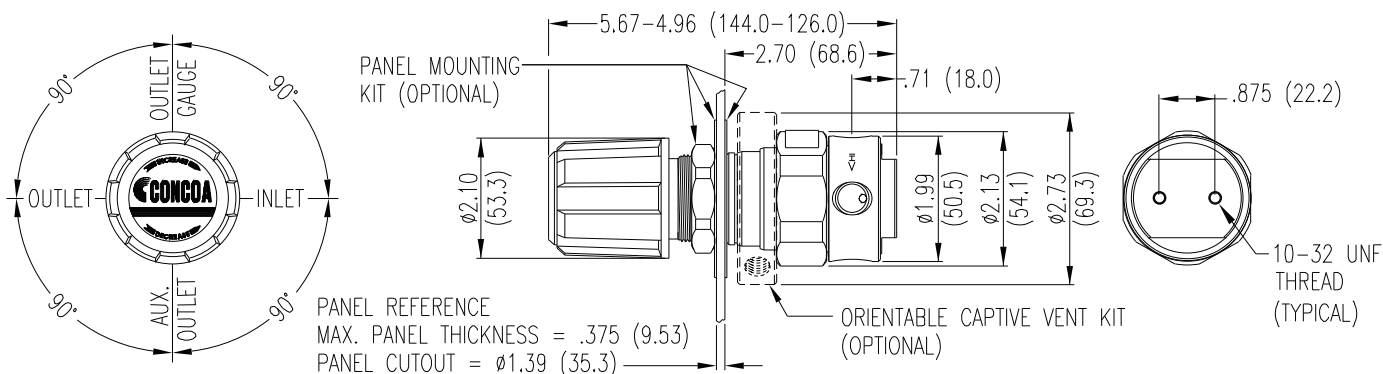
Weight (405 2021-000)

2.71 lbs. (1.23 kg)

400 Series Regulators



Installation Dimensions



Ordering Information

405	A	B	C	D	-CON	Options	
Series 405	Outlet Pressure	Outlet Gauge	Inlet Gauge	Outlet Assemblies	Assembly/ Gauges	Inlet Connections	Installed Options
	1: 0-15 PSIG (0-1 BAR)	30"-0-30 PSIG/ -1-0-2 BAR	0: None	0: 1/4" FPT port	0: Bare body	000: 1/4" FPT	D: Deep purge
	2: 0-50 PSIG (0-3.5 BAR)	30"-0-100 PSIG/ -1-0-7 BAR		1: 1/4" MPT	1: Cleanroom assembly (PSIG/kPa gauges)	TF2: 1/8" tube	M: Protocol station
	3: 0-100 PSIG (0-7 BAR)	30"-0-200 PSIG/ -1-0-14 BAR		2: 1/4" tube fitting	2: Cleanroom assembly (BAR/PSIG gauges)	TF4: 1/4" tube	Q: Protocol purge station
	4: 0-250 PSIG (0-17 BAR)	0-400 PSIG/ 0-27 BAR		3: Diaphragm valve 1/4" tube fitting	6: Mirror image (PSIG/kPa gauges)	TF6: 3/8" tube	
	5: 0-500 PSIG (0-34 BAR)**	0-1000 PSIG/ 0-70 BAR		4: Diaphragm valve 1/4" MPT	7: Mirror image (BAR/PSIG gauges)	M06: 6mm tube	
	7: 0-150 (0-10 BAR)	30"-0-200 PSIG/ -1-0-14 BAR		5: Needle valve 1/4" MPT			
	**Standard assembly does not include relief valve			6: 1/8" tube fitting			
				7: 3/8" tube fitting			
				8: Diaphragm valve 1/8" fitting			
				9: Diaphragm valve 1/4" FPT			
				A: 3/8" BSP RH fitting			
				B: Diaphragm valve 3/8" tube fitting			
				C: 3/8" BSP LH fitting			
				D: 6mm brass hose barb (Not available if A=4 or 5)			
				G: 1/8" stainless steel tube fitting			
				H: 1/4" stainless steel tube fitting			
				M: 6mm tube fitting			
				S: Diaphragm valve 6mm tube fitting			

Related Options

Order No.	Description
550 0002	Panel mount kit
550 0001	Captured vent kit
476 0002	Helium Leak certification

