



400 Series Regulators

426 SERIES

The 426 Series regulators are intended for secondary pressure control of ultra-high purity and corrosive gases or as point-of-use pressure control in ultra-high purity gas distribution systems.

- Low Dead Volume
- 316L Stainless Steel Barstock Body
- Two Port Configuration
- 316L Stainless Steel Diaphragm

Typical Applications

- Bulk gas distribution systems
- Gas and liquid chromatography
- Ultra-high purity carrier gases
- Zero, span, and calibration gases
- High purity chamber pressurization
- Liquefied hydrocarbon gas control
- Control of cryogenic gases
- Corrosive gases



426 3001-000 shown

Features

- Metal-to-Metal Diaphragm Seal**
No possibility of gas contamination
- CAPSULE® Seat**
Increased serviceability and life
- 316L Stainless Steel Barstock Body**
Increased corrosion resistance
- Front and Rear Panel-Mountable**
Versatile system configuration
- Pressure Ranges 0-15 to 0-500 PSIG (0-1 to 0-34 BAR)**
Broad range of applications
- 4500 PSIG (310 BAR) Inlet Pressure Rating**
Safe use with high pressure cylinders

Materials

- Body**
316L stainless steel barstock
- Bonnet**
Chrome-plated brass barstock
- Seat**
PCTFE
- Filter**
Patented 10 micron 316 mesh
- Diaphragm**
316L stainless steel
- Internal Seals**
PTFE

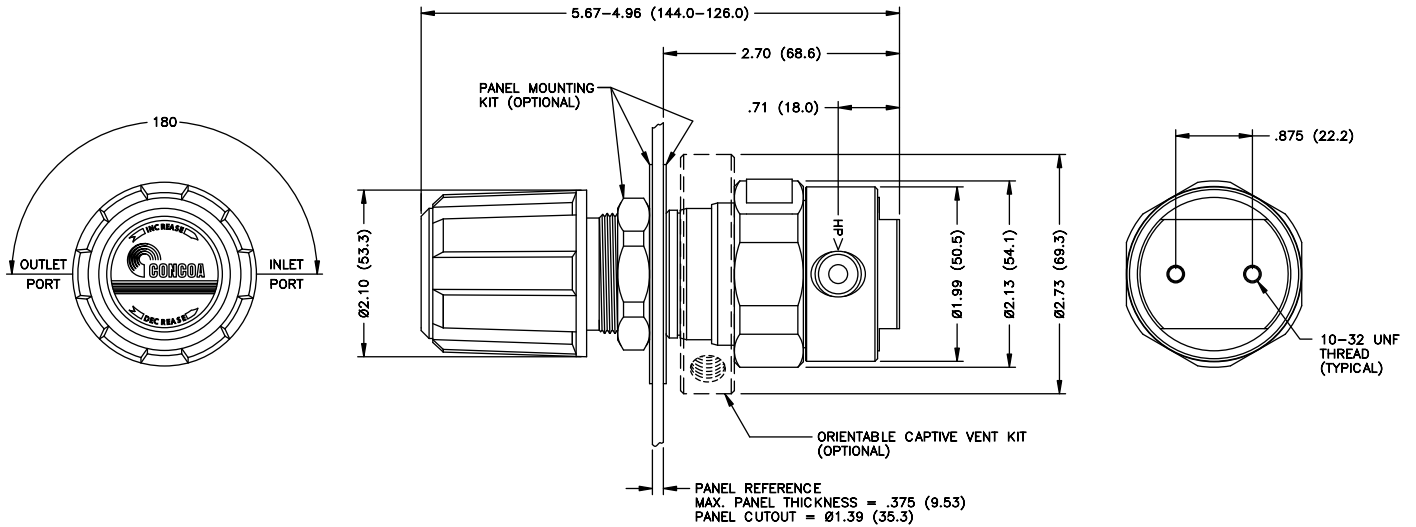
Specifications

- Maximum Inlet Pressure**
4500 PSIG (310 BAR)
- Temperature Range**
-40°F to 140°F (-40°C to 60°C)
- Ports**
1/4" FPT
- Helium Leak Integrity**
1 x 10⁻⁹ scc/sec
- Cv**
0.1
See page 188 for flow curves
- Weight (426 3801-000)**
2.2 lbs (1.01 kg)

400 Series Regulators



Installation Dimensions



Ordering Information

426	A	B	C	D	-CON	Options
Series 426	Outlet Pressure	Inlet Pressure	Outlet Assemblies	Assembly	Inlet Connections	Installed Options
	2: 0-50 PSIG (0-3.5 BAR)	8: 4500 PSIG (310 BAR)	0: 1/4" FPT port	1: Cleanroom assembly	000: 1/4" FPT	B: Protocol alarm station (110/220 VAC)
	3: 0-100 PSIG (0-7 BAR)		1: 1/4" MPT		TF2: 1/8" tube	D: Deep purge*
	4: 0-250 PSIG (0-17 BAR)		2: 1/4" tube fitting		TF4: 1/4" tube	M: Protocol station
	5: 0-500 PSIG (0-34 BAR)		3: Diaphragm valve 1/4" tube fitting		TF6: 3/8" tube	*Only valid with 3000 PSIG cylinder inlet connections
	7: 0-150 PSIG (0-10 BAR)		4: Diaphragm valve 1/4" MPT		M06: 6mm tube	
			5: Needle valve 1/4" MPT		CGA DIN 477 BS 341 and others available	
			6: 1/8" tube fitting			
			7: 3/8" tube fitting			
			8: Diaphragm valve 1/8" tube fitting			
			9: Diaphragm valve 1/4" FPT			
			M: 6mm tube fitting			
			S: Diaphragm valve 6mm tube fitting			

Related Options

Order No.	Description
550 0002	Panel mount kit
550 0001	Captured vent kit
476 0002	Helium Leak certification

**Flow Curves for
302, 304, 305, 307, 322, 324, 327, 402, 408, 420, 422, 426, 427, 428, 429 Series Regulators**

