



400 Series Regulators

428 SERIES

The 428 Series regulators are intended for secondary pressure control of the highest purity gases or as point of use pressure control in high purity gas distribution systems.

- Single Stage
- 316L Stainless Steel Barstock Body
- Three Port Configuration
- Face Seal Connections

Typical Applications

- Semiconductor process gases
- Gas and liquid chromatography
- Ultra-high purity carrier gases
- Zero, span, and calibration gases
- Liquefied hydrocarbon gas control
- Control of cryogenic gases



428 3302-001 shown

Features

- Metal-to-Metal Diaphragm Seal**
No possibility of gas contamination
- CAPSULE® Seat**
Increased serviceability and life
- Butt-Welded Face Seal Connections**
Highest leak integrity available
- 316L Stainless Steel Barstock Body**
Increased corrosion resistance
- Front and Rear Panel-Mountable**
Versatile system configuration
- 3000 PSIG Inlet Pressure Rating**
Safe use with high pressure cylinders
- Pressure Ranges 0-15 to 0-500 PSIG (0-1 to 0-34 BAR)**
Broad range of applications

Materials

- Body**
316L stainless steel barstock
- Bonnet**
Chrome-plated brass barstock
- Seat**
PTFE
- Filter**
Patented 10 micron 316 mesh
- Diaphragm**
316L stainless steel
- Internal Seals**
PTFE

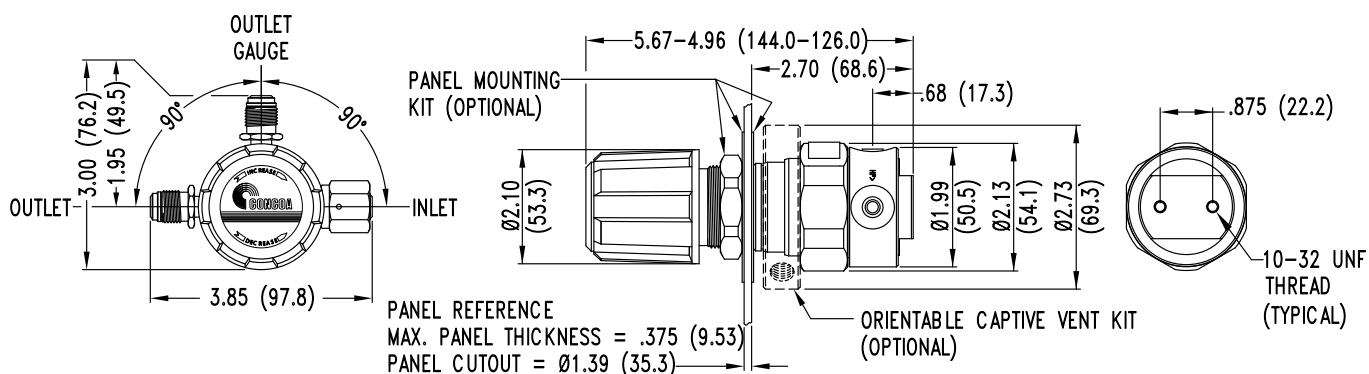
Specifications

- Maximum Inlet Pressure**
3000 PSIG (210 BAR)
- Temperature Range**
-40°F to 140°F (-40°C to 60°C)
- Gauge**
2" (53mm) diameter stainless steel
- Ports**
1/4" face seal connection
- Helium Leak Integrity**
1 x 10⁻⁹ scc/sec
- Cv**
0.1
See page 188 for flow curves
- Weight (428 3302-001)**
2.46 lbs. (1.12 kg)

400 Series Regulators



Installation Dimensions



Ordering Information

428	A	B	C	D
Series 428	Outlet Pressure	Outlet Gauge	Inlet Gauge	Connections - inlet/outlet
	1: 0-15 PSIG (0-1 BAR)	0: None	0: None	1: Female face seal/male face seal
	2: 0-30 PSIG (0-2 BAR)	1: 30"-0-30 PSIG/-1-0-2 BAR		2: Male face seal/male face seal
	3: 0-50 PSIG (0-3.5 BAR)	2: 30"-0-60 PSIG/-1-0-4 BAR		3: Male face seal/female face seal
	4: 0-100 PSIG (0-7 BAR)	3: 30"-0-100 PSIG/-1-0-7 BAR		4: Female face seal/female face seal
	5: 0-250 PSIG (0-17 BAR)	4: 30"-0-200 PSIG/-1-0-14 BAR		
	6: 0-500 PSIG (0-34 BAR)	5: 0-400 PSIG/0-27 BAR		
	7: 0-150 PSIG (0-10 BAR)	6: 0-1000 PSIG/0-70 BAR		

Related Options

Options	Order No.	Description
Panel mount kit	550 0002	To mount the regulator using bonnet threads. Material: Nickel-plated brass
Captured vent kit	550 0001	360° Orientation pipes vented gases to safe location in the event of diaphragm failure. Material: Nickel-plated brass
Helium Leak certification	476 0002	Inboard Helium Leak certification to less than 1×10^{-9} cc/sec

**Flow Curves for
302, 304, 305, 307, 322, 324, 327, 402, 408, 420, 422, 426, 427, 428, 429 Series Regulators**

