



# 400 Series Regulators

# 430 SERIES

The 430 Series SilcoNert™ 1020 coated regulators are intended for pressure control of reactive or corrosive calibration mixtures or pure gases in applications where an extremely inert wetted finish is required along with stable delivery pressure regardless of inlet pressure. The proprietary non-reactive amorphous Silicon finish is desired over standard 316L stainless steel and ideally suited for Hydrogen Sulfide, reduced Sulfur, Mercury and PPM to PPB calibration mixtures.

- Dual Stage
- SilcoNert™ 1020 Barstock Body, Diaphragm, and Internals
- Six Port Configuration
- Inert Surface Finish and Corrosion Resistance

## Typical Applications

- Reactive calibration standard
- Emissions monitoring
- Hydrogen sulfide PPM to PPB standards
- Mercury standards
- Sulfur mixtures
- Corrosive service



430 3331-330 shown

## Features

- Metal-to-Metal Diaphragm Seal**  
No possibility of gas contamination
- CAPSULE® Seat**  
Increased serviceability and life
- SilcoNert 1020 Barstock Body**  
Increased corrosion resistance
- Front and Rear Panel-Mountable**  
Versatile system configuration
- Pressure Ranges 0-15 to 0-500 PSIG (0-1 to 0-34 BAR)**  
Broad range of applications

## Materials

- Body**  
SilcoNert 1020
- Bonnet**  
SilcoNert 1020
- Seat**  
PTFE
- PCTFE with 4500 PSIG (310 BAR) inlet option
- Filter**  
SilcoNert 1020 10 micron
- Diaphragm**  
SilcoNert 1020
- Internal Seals**  
PTFE

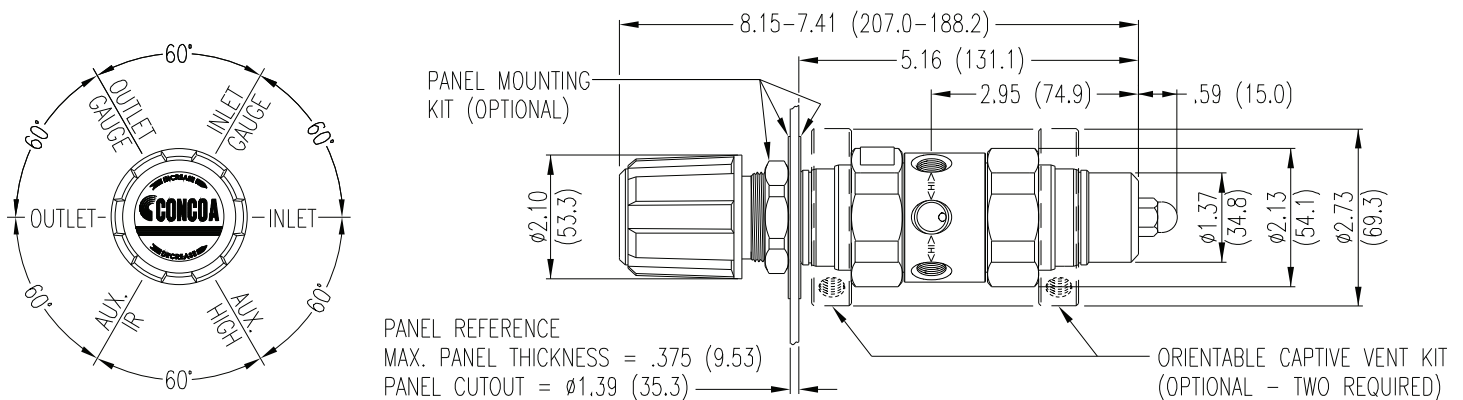
## Specifications

- Maximum Inlet Pressure**  
3000 PSIG (210 BAR)  
4500 PSIG (310 BAR) optional
- Temperature Range**  
-40°F to 140°F (-40°C to 60°C)
- Gauges**  
2" (53mm) diameter stainless steel (bourdon tube not SilcoNert 1020)
- Ports**  
1/4" FPT
- Helium Leak Integrity**  
1 x 10<sup>-9</sup> scc/sec
- Cv**  
0.1  
*See page 188 for flow curves*
- Weight (430 3331-330)**  
5.09 lbs. (2.31 kg)

# 400 Series Regulators



## Installation Dimensions



## Ordering Information

430	A	B	C	D	-CON	Options	
Series 430	Outlet Pressure	Outlet Gauge	Inlet Gauge	Outlet Assemblies	Assembly/Gauges	Inlet Connections	Installed Options
	<b>1:</b> 0-15 PSIG (0-1 BAR)*	30"-0-30 PSIG/ -1-0-2 BAR	<b>0:</b> None	<b>0:</b> 1/4" FPT port	<b>0:</b> Bare body	<b>000:</b> 1/4" FPT	<b>B:</b> Protocol alarm station (110/220 VAC)
	<b>2:</b> 0-50 PSIG (0-3.5 BAR)	30"-0-100 PSIG/ -1-0-7 BAR	<b>3:</b> 0-4000 PSIG/ 0-275 BAR	<b>2:</b> 1/4" tube fitting	<b>1:</b> Cleanroom assembly (PSIG/kPa gauges)	<b>TF2:</b> 1/8" tube	<b>C:</b> Protocol switchover station*
	<b>3:</b> 0-100 PSIG (0-7 BAR)	30"-0-200 PSIG/ -1-0-14 BAR	<b>5:</b> 0-1000 PSIG/ 0-70 BAR	<b>3:</b> Diaphragm valve 1/4" tube fitting	<b>2:</b> Cleanroom assembly (BAR/PSIG gauges)	<b>TF4:</b> 1/4" tube	<b>H:</b> Protocol switchover station with alarm (110/220 VAC)*
	<b>4:</b> 0-250 PSIG (0-17 BAR)	0-400 PSIG/ 0-27 BAR	<b>6:</b> 0-300 PSIG/ 0-21 BAR	<b>6:</b> 1/8" tube fitting		<b>M06:</b> 6mm tube	<b>M:</b> Protocol station
	<b>7:</b> 0-150 PSIG (0-10 BAR)	30"-0-200 PSIG/ -1-0-14 BAR	<b>7:</b> 0-400 PSIG/ 0-27 BAR	<b>8:</b> Diaphragm valve 1/8" tube fitting		CGA DIN 477 BS 341 and others available upon request	<b>Q:</b> Protocol purge station*
	<i>*Not available with 4500 PSIG (310 BAR) maximum inlet pressure</i>		<b>8:</b> 0-6000 PSIG/ 0-405 BAR*	<b>9:</b> Diaphragm valve 1/4" FPT			<i>*Not available with 4500 PSIG (310 BAR) max inlet pressure</i>
				<b>M:</b> 6mm tube fitting			
				<b>S:</b> Diaphragm valve 6mm tube fitting			

## Related Options

Order No.	Description
550 0002	Panel mount kit
550 0001	Captured vent kit (2 required)
476 0002	Helium Leak certification

