



200 Series Regulators

205 SERIES

The 205 Series regulators are intended for secondary pressure control of non-corrosive, high purity or liquefied gases (up to grade 4.5) or as point of use pressure control in high purity gas distribution systems.

- Single Stage
- Chrome-Plated Forged Brass Body
- 316L Stainless Steel Diaphragm
- Four Port Configuration



205 3021-000 shown

Typical Applications
Point-of-use laboratory systems
Gas supply purging
Liquefied hydrocarbon gas control
Control of cryogenic gases
Bulk gas distribution systems

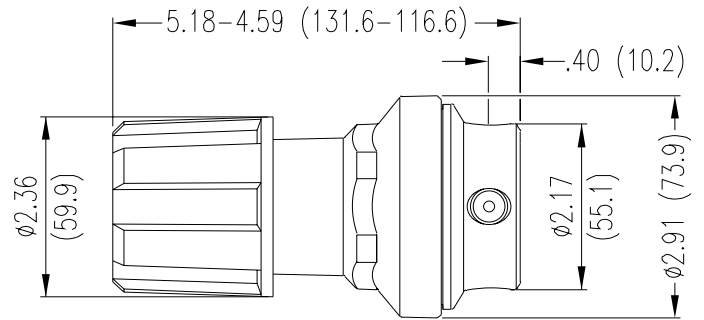
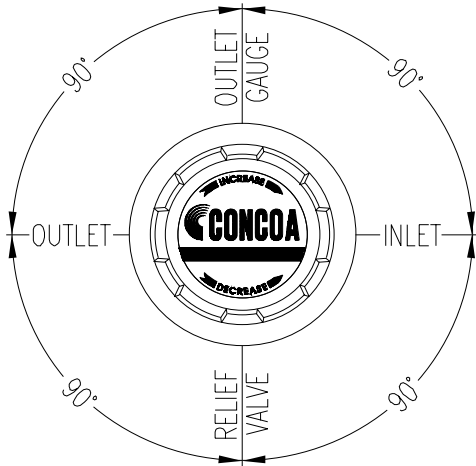
Features	Materials	Specifications
----------	-----------	----------------

<p>CAPSULE® Seat Increased serviceability and life</p> <p>316L Stainless Steel Diaphragm No inboard diffusion</p> <p>Forged Body Durable, long-lasting construction</p> <p>Field-Adjustable Pressure Limit Safeguard downstream equipment</p> <p>Large Convoluted Diaphragm Smooth pressure changes</p> <p>Standard Relief Valve Diaphragm and gauge protection</p> <p>Chrome-Plated Forged Brass Body Economical high purity design</p> <p>High Flow Capacity Supply multiple user locations</p> <p>Pressure Ranges 0-15 to 0-200 PSIG (0-1 to 0-14 BAR) Broad range of applications</p> <p>3000 PSIG (210 BAR) Inlet Pressure Rating Safe use with high pressure cylinders</p>	<p>Body Chrome-plated forged brass</p> <p>Bonnet Chrome-plated die-cast zinc</p> <p>Seat PTFE</p> <p>Filter 10 micron sintered bronze</p> <p>Diaphragm 316L stainless steel</p> <p>Internal Seals PTFE</p>	<p>Maximum Inlet Pressure 3000 PSIG (210 BAR)</p> <p>Temperature Range -40°F to 140°F (-40°C to 60°C)</p> <p>Gauge 2 1/2" (68mm) diameter chrome-plated brass</p> <p>Ports 1/4" FPT</p> <p>Helium Leak Integrity 1 x 10⁻⁸ scc/sec</p> <p>Cv 0.28 <i>See page 192 for flow curves</i></p> <p>Weight (205 3021-000) 3.2 lbs. (1.44 kg)</p>
--	--	--

200 Series Regulators



Installation Dimensions



Ordering Information

205	A	B	C	D	-CON	Options	
Series 205	Outlet Pressure	Outlet Gauge	Inlet Gauge	Outlet Assemblies	Assembly Gauges	Inlet Connections	Installed Options
	1: 0-15 PSIG (0-1 BAR)	0-30 PSIG/ 0-2 BAR	0: None	0: 1/4" FPT port	0: Bare body	000: 1/4" FPT	M: Protocol station
	2: 0-40 PSIG (0-3 BAR)	0-60 PSIG/ 0-4 BAR		1: 1/4" MPT	1: Standard assembly (PSIG/kPa gauges)	TF2: 1/8" tube	Q: Protocol purge station
	3: 0-120 PSIG (0-8 BAR)	0-200 PSIG/ 0-14 BAR		2: 1/4" tube fitting	2: Standard assembly (BAR/PSIG gauges)	TF4: 1/4" tube	
	4: 0-200 PSIG (0-14 BAR)	0-400 PSIG/ 0-27 BAR		3: Diaphragm valve 1/4" tube fitting	6: Mirror image assembly (PSIG/kPa gauges)	TF6: 3/8" tube	
	5: 0-15 PSIG (0-1 BAR)*	0-30 PSIG/ 0-2 BAR		4: Diaphragm valve 1/4" MPT	7: Mirror image assembly (BAR/PSIG gauges)	M06: 6mm tube	
	<i>*With redline for acetylene use</i>			5: Needle valve 1/4" MPT			
				6: 1/8" tube fitting			
				7: 3/8" tube fitting			
				8: Diaphragm valve 1/8" tube fitting			
				9: Diaphragm valve 1/4" FPT			
				A: 3/8" BSP RH fitting			
				B: Diaphragm valve 3/8" tube fitting			
				C: 3/8" BSP LH fitting			
				D: 6mm brass hose barb (Not available if A=4 or 5)			
				G: 1/8" stainless steel tube fitting			
				H: 1/4" stainless steel tube fitting			
				M: 6mm tube fitting			
				S: Diaphragm valve 6mm tube fitting			

