

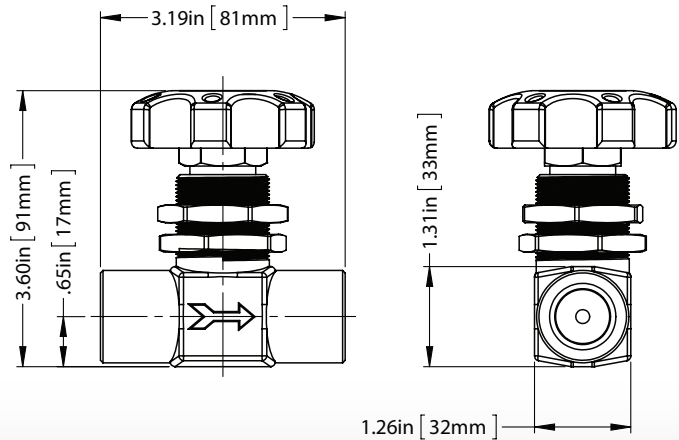


High Flow Diaphragm Valves

The 533 Series high flow diaphragm valves are ideal for primary or pipe line control in high purity or corrosive gas services. The forged 316L stainless steel body and metal-to-metal diaphragm seal ensure leak tight integrity at higher pressures. The ergonomic round knob, special diaphragm material and spring design ensure easy operation at high pressure and a high cycle life over a broad temperature range. With a positive seat shutoff, panel mount as standard and a directional flow arrow signifying recommended primary flow, the 533 Series is ideal for integrating into high flow systems.

Materials and Specifications

Maximum Inlet Pressure	3500 PSIG (240 BAR) @70°F
Maximum Differential Back Pressure	3000 PSIG (210 BAR)
Temperature Range	-65°F to 150°F (-54°C to 65°C)
Helium Leak Integrity	2x10 ⁻⁸ scc/sec
Body	Forge 316L stainless steel
Diaphragms	Elgiloy®
Seats	PCTFE
Seals	Metal to metal
Cv	0.30
Panel Mount Hole	1.25" (31.75 mm)



Ordering Information

Order No.	Inlet Connection	Outlet Connection	Body
533 8002	1/2" MPT	1/2" FPT	316L stainless steel
533 8008	1/2" FPT	1/2" FPT	316L stainless steel