



Multi Turn Diaphragm Valves

The 533 Series diaphragm valves are ideal for use as the primary flow control in high purity or corrosive gas systems. Springless design and low wetted surface area combine to minimize particle generation and the completely swept path minimizes entrapment.

The unique design of the 533 Series allows low torque operation with gas flow in either direction. Directional arrows are provided to indicate suggested flow direction.



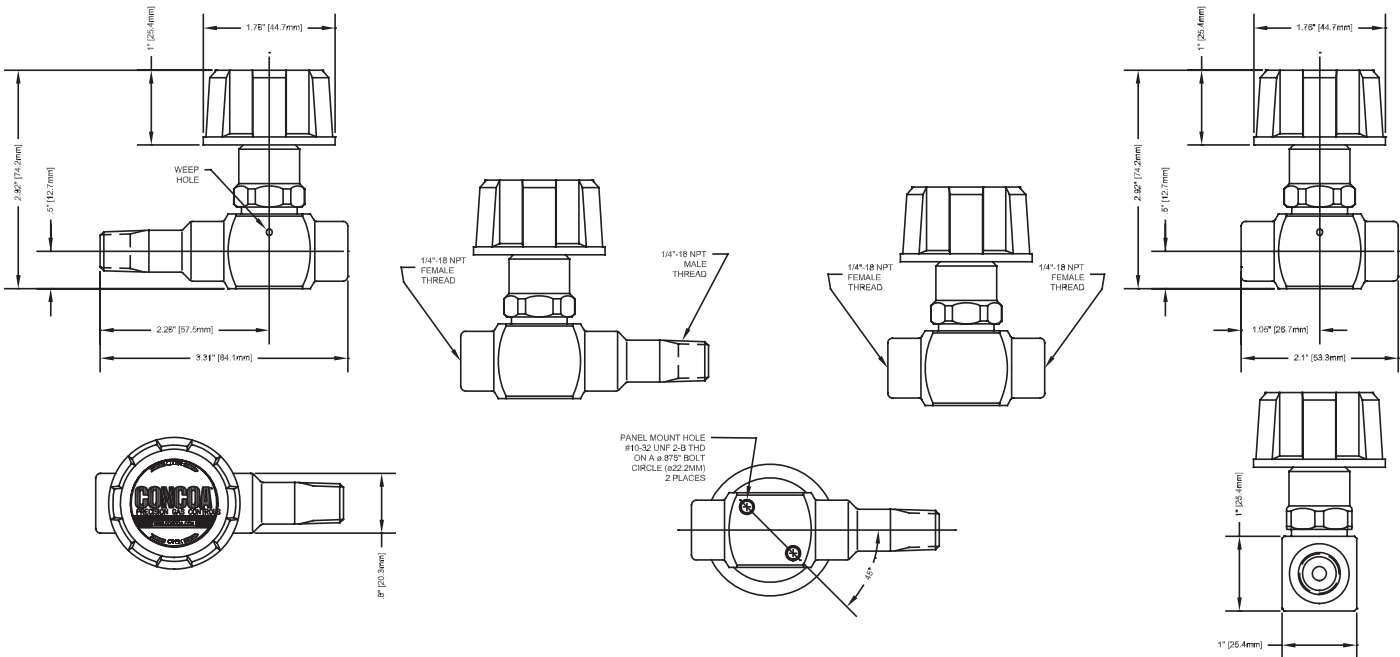
533 3043 Shown

CRN OH 5216.5R1

Materials and Specifications

Maximum Inlet Pressure	3500 PSIG (240 BAR)
Temperature Range	-40°F to 140°F (-40°C to 60°C)
Helium Leak Integrity	1 x 10 ⁻⁹ scc/sec
Bodies and Fittings	Brass barstock, 316L stainless steel or chrome-plated brass
Diaphragms	Elgiloy®
Seats	PCTFE
Seals	Metal to metal
Cv	0.17
Weight	0.66 lbs. (0.3 kg)

Installation Dimensions



Ordering Information

Series	B	C	D
Series 533-3	Flow Direction	Material	Connection
	0: Multi-turn right to left	2: Brass	0: 1/4" FPT x 1/4" FPT
	2: Multi-turn left to right*	4: 316L stainless steel	1: 6mm tube fitting x 6mm tube fitting
	*Only for D=3, 7, 8, & 9	9: Chrome-plated brass	2: 1/4" tube fitting x 1/4" tube fitting
			3: 1/4" MPT (extended leg) x 1/4" tube fitting
			4: 1/4" MPT x 1/4" MPT
			7: 1/4" MPT x 6mm tube fitting
			8: 1/4" MPT (extended leg) x 1/8" tube fitting
			9: 1/4" MPT (extended leg) x 1/4" FPT

For example, a 533 3040 is a bare body, 316L stainless steel diaphragm valve controlled by a multi turn handle.