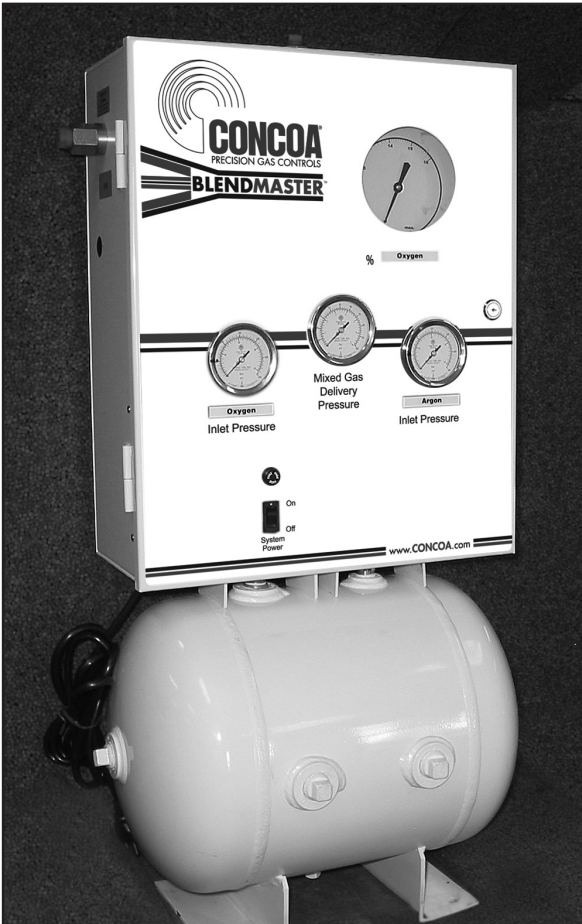


GAS BLENDING SYSTEMS

CONCOA
PRECISION GAS CONTROLS

6



Urządzenie z serii 655 zaprojektowane jest do dostawy mieszanin gazów ostonowych argon-tlen. Mieszarka ta dostarcza do 850 SCFH w zakresie 0-10% tlenu. Rdze gniazdka regulatora wlotu zapewnia dokładnie mieszania przez eliminowanie waha ci nienia wyst puj cych podczas uzupełniania ródła dostaw. To sprawia e, mieszarka z serii 655 jest prawidłowym wyborem.

Cechy

- **Zamykana obudowa**
Kontrola procesu
- **0 - 10% wskaźnik regulacji**
Elastyczno procesowa
- **Montowanie ścianowe lub stołowe**
Elastyczno instalacji
- **Integralny regulator**
Wspomaga przepływomierz

Applications

Stainless Steel

0-1% Oxygen
Stabilized spray transfer

1-2% Oxygen
Spray transfer with enhanced wetting action

Mild Steel

2-3% Oxygen
Spray transfer with enhanced wetting action

3-5% Oxygen
High travel speeds with fluid weld puddle

Materials

Case

Powder-coated steel
Not designed for use outdoors

Surge Tank

Seven gallon (26.5 Liters)

Pressure Control Mechanism

Brass barstock
Gas piloted

Specifications

Flow Capacity

850 SCFH (24.1 M³/H)

Inlet Supply Pressure Requirements

100 - 125 PSIG (7 - 8.6 BAR)

Mixed Gas Outlet Pressure

10 - 45 PSIG (.7 - 3.1 BAR)

Power Requirements

110/220 VAC (50 - 60 Hz)

Ambient Atmosphere and Gas Supply

Temperature

32°F to 100°F (0°C to 38°C)

Accuracy

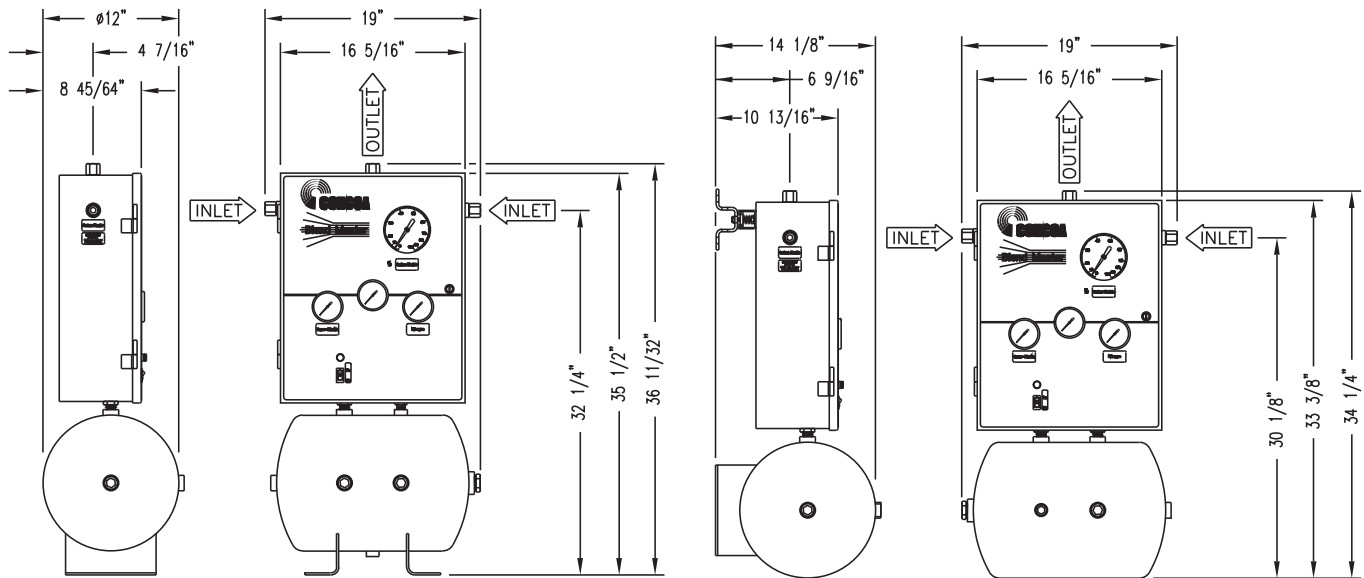
± 0.5%

Weight

102 lbs. (46 kg)

Available Mounting Information for the 655 Series BlendMaster

Gas Blending



Floor-Mounted

Wall-Mounted

Ordering Information

Series	A Primary Scale Major Gas	B Primary Scale Minor Gas	C Monitoring	D Assembly
655	1: Argon	1: Oxygen	0: No Alarm 7: Low Pressure Alarm Capability*	1: 110V, Floor Mount 2: 110V, Wall Mount 5: 220V, Floor Mount 6: 220V, Wall Mount

* Alarm sold separately

Related Options

Option	Order Number	Description
Advantium 2 Remote Alarm	575-0023-01-000	Provides audible and visual notification of a depleted supply bank to a remote location. (See page 48 for full list of options)