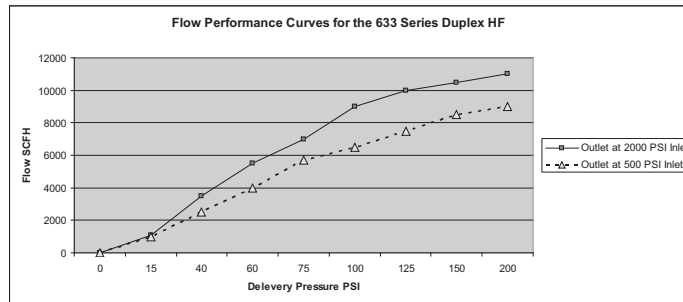
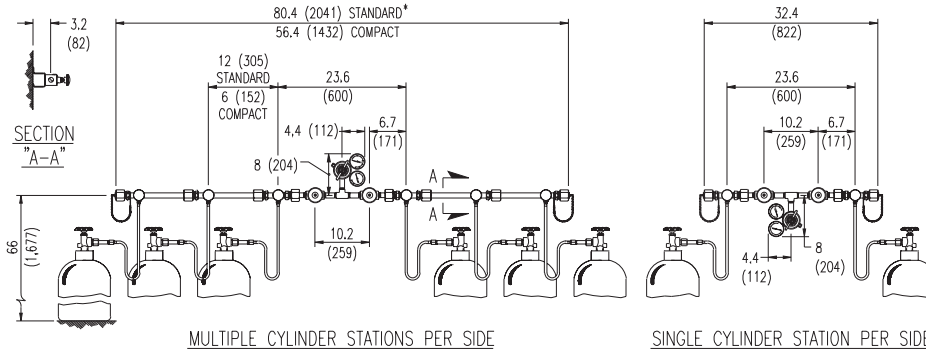


Mounting and Dimensional Information for the 633 Series Duplex HF



Ordering Information

A	B	C	D	E	F
Series Outlet Pressure	Manifold Style	Pigtail Style	Stations/side	Inlet	Options
633				PTFE-lined pigtails for oxygen service include accumulator extensions to prevent ignition from adiabatic compression. Not for use with Helium or Hydrogen.	C: Foreign Inlets CO ₂ & Inert F: Arrestor for 300, 410, 510 R: Foreign Inlets Ar, H ₂ , O ₂ , O ₂ Mix ²
1: 0-15 PSIG	1: Standard Length (12" between stations) with One Cylinder/Station		1: One Station		
2: 0-40 PSIG		2: 24" Rigid Copper	2: Two Stations		
3: 0-120 PSIG	3: Standard Length (12" between stations) with 2 Cylinders/Station	3: 72" Flexible Stainless Steel Armor Case with Stainless Steel Core	3: Three Stations		
4: 0-200 PSIG	4: Compact Length (6" between stations) with One Cylinder/Station	4: 24" Flexible Stainless Steel braided with PTFE lining	4: Four Stations		
5: 0-15 PSIG (Redline)		5: 36" Flexible Stainless Steel Armor Case with Stainless Steel Core	5: Five Stations		
	6: Compact Length (6" between stations) with 2 Cylinders/Station	6: 36" Flexible Stainless Steel braided with PTFE lining	6: Six Stations		
		7: 24" Flexible Stainless Steel Armor Case with Stainless Steel Core	7: Seven Stations		
		8: 36" Rigid Brass with Flash Arrestor (CGA 300 & 510 Acetylene only)	8: Eight Stations		
		9: 72" Flexible Stainless Steel-braided with PTFE lining	9: Nine Stations		

Related Options

Option	Order Number	Description
Manifold Floor Stand	830-7437	Supports 2 standard length (12") manifold extensions installed consecutively
Station Regulators	See page 40	Precise pressure delivery at the point of use
Flashback Arrestors	801-8530	Use of Acetylene requires flashback arrestors on pigtails. Meets OSHA and NFPA Std. 51 requirements and complies with ISO 5175 (heavy class) DIN 8521, and BS 6158. See pg. 44.