



# Pressure Differential Switchovers

# 527 SERIES

## Switchover

The 527 Series Switchover is an automatic switchover system designed to supply a continuous supply of high purity or corrosive gas. The system comes with either flexible hoses for use with two cylinders or manifold connectors for use with the Maniflex Modular Manifold System. Due to pressure differential considerations, an integral line regulator is available to maintain constant downstream pressure.

### Typical Applications

- Ultra high purity gases
- Research grade pure gases
- Gas chromatograph carrier and support gases
- Pure and mixed process gases
- Corrosive gases
- Ammonia
- Hydrogen Sulfide



527 4111 shown with attached flexible hoses. Available with optional remote alarm.

### Features

- 400 Series Stainless Steel Regulators**  
CAPSULE® seat
- Metal-to-Metal Diaphragm Seal**  
No possibility of gas contamination
- User-Friendly Priority Valve**  
One knob switches cylinder priority
- Check Valves in Inlet Gland**  
Prevents contamination and back flow
- Compatible with Maniflex Manifolds**  
Multiple cylinders per side
- Optional Line Regulator**  
Stable line pressure during change over
- Optional Remote Alarm**  
Easy integration with Advantium system
- Optional Purge Valves**  
Allows purging after cylinder change over
- Optional Outlet Valve**  
Allows isolation of pipeline

### Materials

- Bodies**  
316L stainless steel barstock
- Diaphragms**  
316L stainless steel
- Seats**  
PTFE  
PCTFE with 4500 PSIG (310 BAR) inlet
- Filters**  
Patented 10 micron 316 mesh
- Internal Seals**  
PTFE

### Specifications

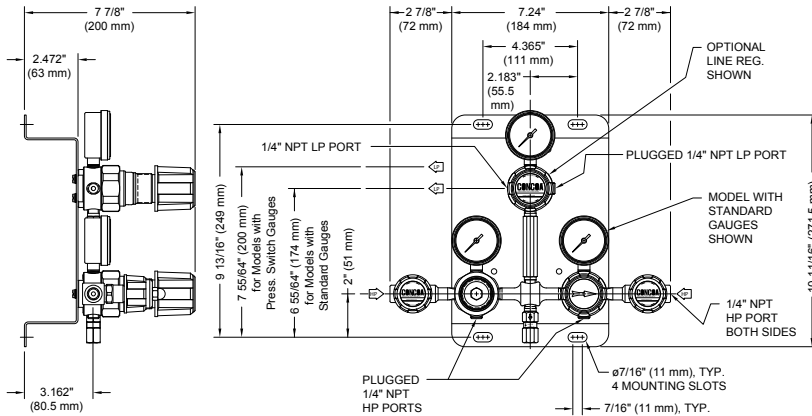
- Maximum Inlet Pressure**  
3000 PSIG (210 BAR)  
4500 PSIG (310 BAR) optional
- Temperature Range**  
-40°F to 140°F (-40°C to 60°C)
- Gauges**  
2" (53mm) diameter stainless steel
- Outlet Connection**  
1/4" MPT (without line regulator)  
1/4" FPT (with line regulator)
- Helium Leak Integrity**  
1 x 10<sup>-8</sup> scc/sec
- Cv**  
0.1
- Weight**  
8.25 lbs. (3.71 kg)

# Pressure Differential Switchovers

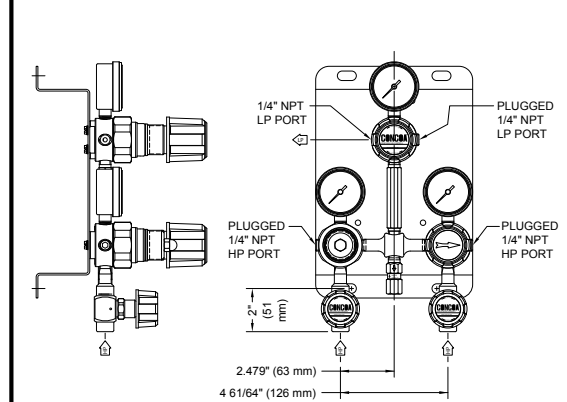


## Installation Information

Diaphragm Valves on Side Ports



Diaphragm Valves on Bottom Ports



## Ordering Information

527	A	B	C	D	-CON	Options
Series 527	Switching Pressure (Priority R/L)	Inlet Connection	Line Regulator	Assembly	Hose	
	<b>1:</b> 125/105 PSIG (8.4/7.1 BAR)*	<b>0:</b> 1/4" FPT ports	<b>0:</b> None	<b>1:</b> 0-4000 PSIG/0-28,000 kPa gauges* no alarm capability	Please specify inlet connection (if applicable)	<b>A:</b> Outlet valve
	<b>2:</b> 70/50 PSIG (4.8/3.5 BAR)*	<b>1:</b> 36" (900mm) stainless steel flexible hoses	<b>1:</b> 0-15 PSIG (01 BAR)	<b>2:</b> 0-275 BAR/0-4000 PSIG gauges* no alarm capability	CGA DIN 477	<b>B:</b> Outlet valve and purge valve
	<b>3:</b> 100/75 PSIG (6.8/5.1 BAR)	<b>2:</b> Manifold connectors*	<b>2:</b> 0-50 PSIG (0-3.5 BAR)	<b>4:</b> 0-275 BAR/0-4000 PSIG* with pressure switches† and remote alarm (110/220 VAC)	BS 341 and others available	<b>C:</b> Outlet valve and stainless steel bonnets
	<b>4:</b> 200/170 PSIG (13.5/11.5 BAR)	<b>3:</b> 24" (600mm) stainless steel flexible hoses	<b>3:</b> 0-100 PSIG (0-7 BAR)	<b>5:</b> 0-42 BAR/0-600 PSIG gauges no alarm capability		<b>D:</b> Outlet valve purge valve and stainless steel bonnets
	<b>5:</b> 500/470 PSIG (33.8/31.8 BAR)	<b>4:</b> Diaphragm valves with 1/4" FPT port	<b>4:</b> 0-250 PSIG (0-17 BAR)	<b>7:</b> 0-42 BAR/0-600 PSIG with pressure switches† and remote alarm (110/220 VAC)		<b>S:</b> Stainless steel bonnets
	<b>7:</b> 150/130 PSIG (10.1/130 BAR)	<b>5:</b> Diaphragm valves with 36" (900mm) hoses	<b>5:</b> 0-400 PSIG (0-27 BAR)	<b>8:</b> 0-275 BAR/0-4000 PSIG* with pressure switches† and without remote alarm		<b>V:</b> Purge valves
	<b>8:</b> 300/270 PSIG (20.3/22.3 BAR)	<b>6:</b> Diaphragm valves with manifold connectors*	<b>7:</b> 0-150 PSIG (0-10 BAR)	<b>9:</b> 0-42 BAR/0-4000 PSIG with pressure switches and without remote alarm		<b>W:</b> Stainless steel bonnets and purge valve
	*Not available with 4500 PSIG (310 BAR) inlet  NOTE: Switching pressure must be higher than line regulator pressure selected in column C.	<b>7:</b> Diaphragm valves with 24" (600mm) hoses <b>8:</b> 36" (900mm) stainless steel flexible hoses and 4500 PSIG (310 BAR) maximum inlet pressure <b>9:</b> 1/4" FPT ports and 4500 PSIG (310 BAR) maximum inlet pressure <b>C:</b> Compact manifold connectors* <b>D:</b> Diaphragm valves with compact manifold connectors*		*0-6000 PSIG/405 BAR gauges with 4500 PSIG (310 BAR) maximum inlet option  †Intrinsic safety barriers are required for flammable gas service or for use in hazardous environments.		
		*See pages 54-55 for manifold ordering information				