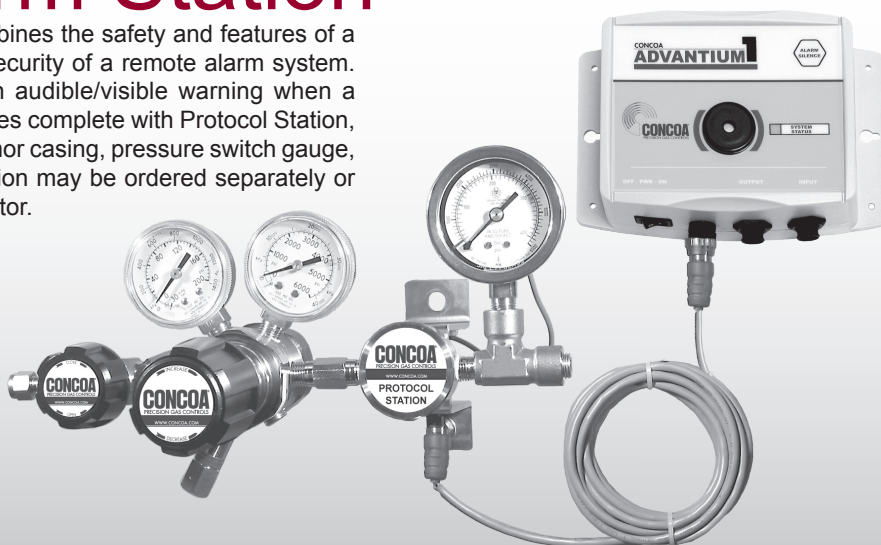


# 529 SERIES

## Protocol Alarm Station

The 529 Series Protocol Alarm Station combines the safety and features of a standard Protocol Station with the added security of a remote alarm system. The Protocol Alarm Station will provide an audible/visible warning when a cylinder is nearly depleted. The system comes complete with Protocol Station, 3 ft (900mm) all stainless steel hose with armor casing, pressure switch gauge, and remote alarm. The Protocol Alarm Station may be ordered separately or attached to any CONCOA high purity regulator.



529 1103 shown with regulator (sold separately)

### Features

**Plugged Port in Gas Block**

Facilitates purging

**Integral Check Valve at Inlet**

No internal contamination during cylinder change

**Bracket Mounts**

Attaches conveniently to any surface

**Pressure Switch Gauge**

Provides visible warning of cylinder depletion

**Remote Alarm**

Provides audible and visible warning of cylinder depletion

**Connections**

CGA, DIN 477, BS 341 and others available

### Materials

**Protocol Tee**

Brass, chrome-plated brass or 316L stainless steel barstock

**Flexible Hoses**

316L stainless steel inner core  
Monel® inner core for oxygen service  
PTFE inner core for 6000 PSIG (405 BAR)

**Inlet Connection**

316L stainless steel or brass barstock

**Check Valve "O" Ring**

Viton® (or neoprene for ammonia)

**Bracket**

304 stainless steel

### Specifications

**Maximum Inlet Pressure**

3500 PSIG (240 BAR)  
4500 PSIG (310 BAR) optional  
6000 PSIG (415 BAR) optional

**Temperature Range**

-40°F to 140°F (-40°C to 60°C)

**Weight (Single Stage)**

3.6 lbs. (1.6 kg)

**Weight (Dual Stage)**

4.0 lbs. (1.8 kg)

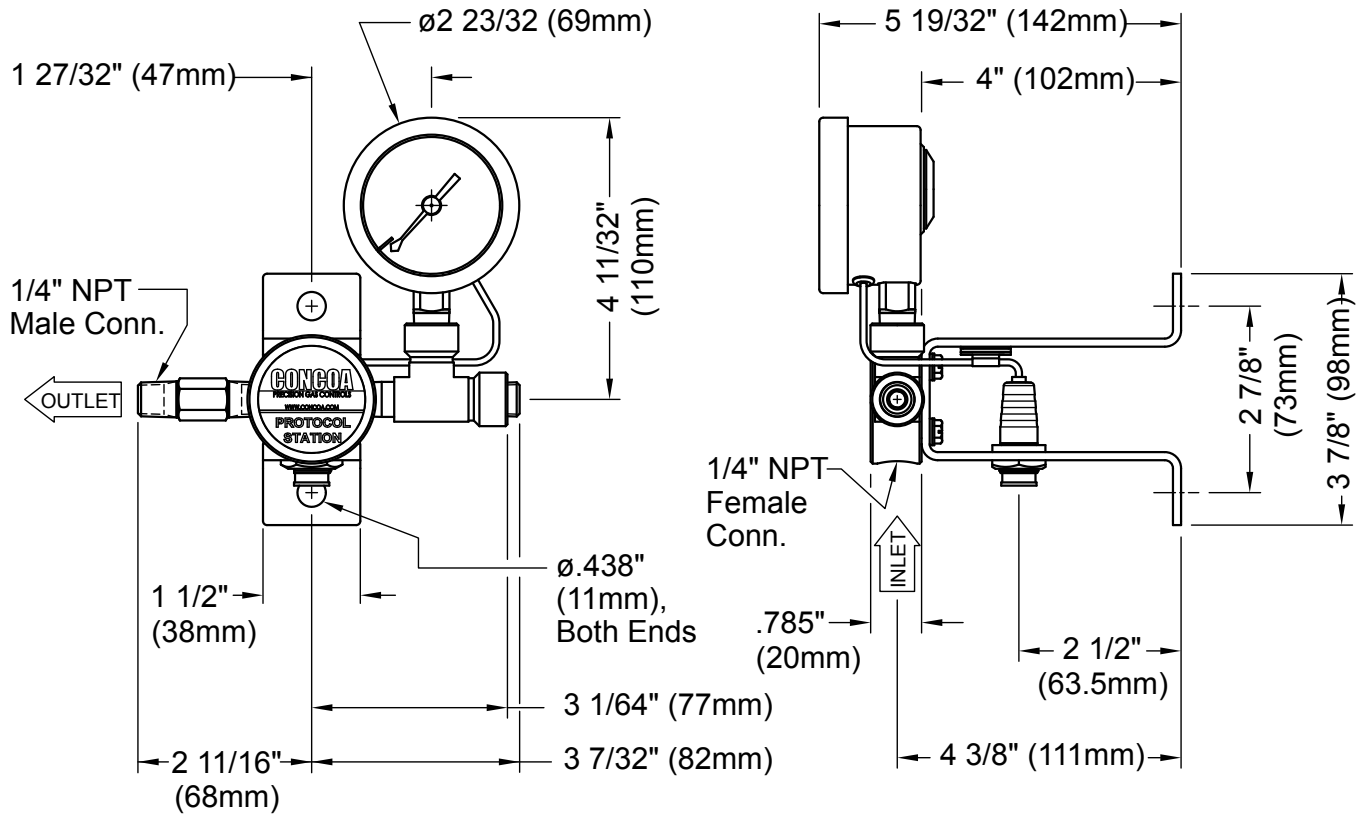
**Intrinsic Safety Barriers**

Required for flammable gas service or for use in hazardous environments

# Manifolds



## Installation Dimensions



529 1095 Dimensions Shown

## Ordering Information

Order Number	Description	Max Inlet	Inlet Gauge
Add letter "B" after any regulator order number	For example, to order a 422 1331-580 with protocol alarm station, the order number would be 422 1331-580B		
<b>To order separately:</b>			
529 1095-CON	Protocol alarm station for brass regulators (110/220 VAC)	400 PSIG (27 BAR)	600 PSIG/42 BAR
529 1096-CON	Protocol alarm station for chrome-plated brass regulators (110/220 VAC)	400 PSIG (27 BAR)	600 PSIG/42 BAR
529 1097-CON	Protocol alarm station for 316L stainless steel regulators (110/220 VAC)	400 PSIG (27 BAR)	600 PSIG/42 BAR
529 1101-CON	Protocol alarm station for brass regulators (110/220 VAC)	3500 PSIG (240 BAR)	4000 PSIG/275 BAR
529 1102-CON	Protocol alarm station for chrome-plated brass regulators (110/220 VAC)	3500 PSIG (240 BAR)	4000 PSIG/275 BAR
529 1103-CON	Protocol alarm station for 316L stainless steel regulators (110/220 VAC)	3500 PSIG (240 BAR)	4000 PSIG/275 BAR
529 1121-CON	Protocol alarm station for brass regulators (110/220 VAC)	4500 PSIG (310 BAR)	6000 PSIG/405 BAR
529 1122-CON	Protocol alarm station for chrome-plated brass regulators (110/220 VAC)	4500 PSIG (310 BAR)	6000 PSIG/405 BAR
529 1123-CON	Protocol alarm station for 316L stainless steel regulators (110/220 VAC)	4500 PSIG (310 BAR)	6000 PSIG/405 BAR
529 1133-CON	Protocol alarm station for 316L stainless steel regulators (110/220 VAC)	6000 PSIG (405 BAR)	10,000 PSIG/700 BAR