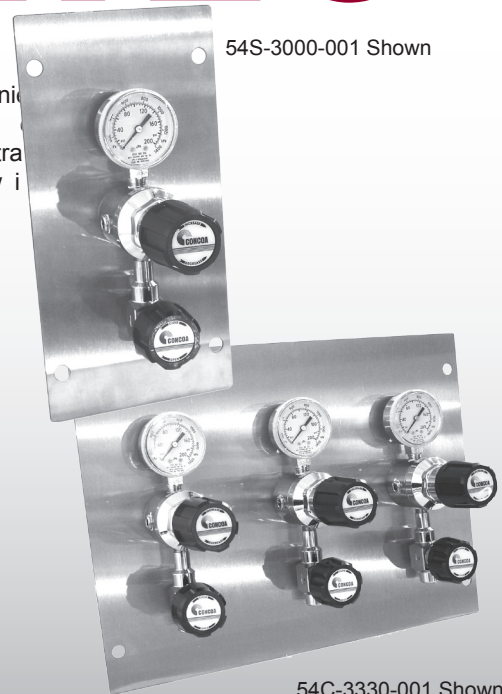


54 SERIES

Point-of-Use Panels

Seria 54 zapewnia modułowy projekt montażowy i umożliwi skomplikowany montaż regulatorów w serii 400 do najbardziej wymaganych urządzeń. Są przeznaczone do zapewnienia ostatecznej kontroli badania czystości oraz ultra-wysoko czystych gazów lub w przypadku 54S nawet korozyjnych gazów i mieszanin. Wysoka integralność wyciek w 1x10 cc/sec zapewnia dostarczanie tych gazów w stanie niezmiennym. Budowane regulatory są wykorzystywane do punktu kontroli czystości.



54S-3000-001 Shown

54C-3330-001 Shown

Typical Applications

Research grade gas systems
Ultra high purity gas control
Gas chromatograph mass spectrometer support gases
Environmental calibration
Liquefied hydrocarbon gas control
Corrosive process gases
Zero, span and support gases
Hydrocarbon research and standards

Features

- 435 or 445 Series Regulators**
Ultra high gas purity
- Modular Design**
Flexible installation
- Rear Entry Regulator Inlet Ports**
Piping behind panel
- Five Individually Selectable Pressure Ranges**
0-15 to 0-500 PSIG (0-1 to 0-34 BAR)
- 14 Gauge Stainless Steel Panel**
Clean corrosion resistant installation
- Stainless Steel Diaphragm**
No inboard diffusion
- High-Purity Diaphragm Outlet Valve**
For flow control and positive shut-off

Materials

- Regulator and Valve Body**
316L stainless steel or brass barstock
- Bonnet**
Chrome-plated brass barstock
- Seats**
PTFE on regulator
PCTFE on valve
- Filter**
10 micron patented stainless steel mesh or sintered bronze
- Diaphragm**
316L stainless steel
- Internal Seals**
PTFE

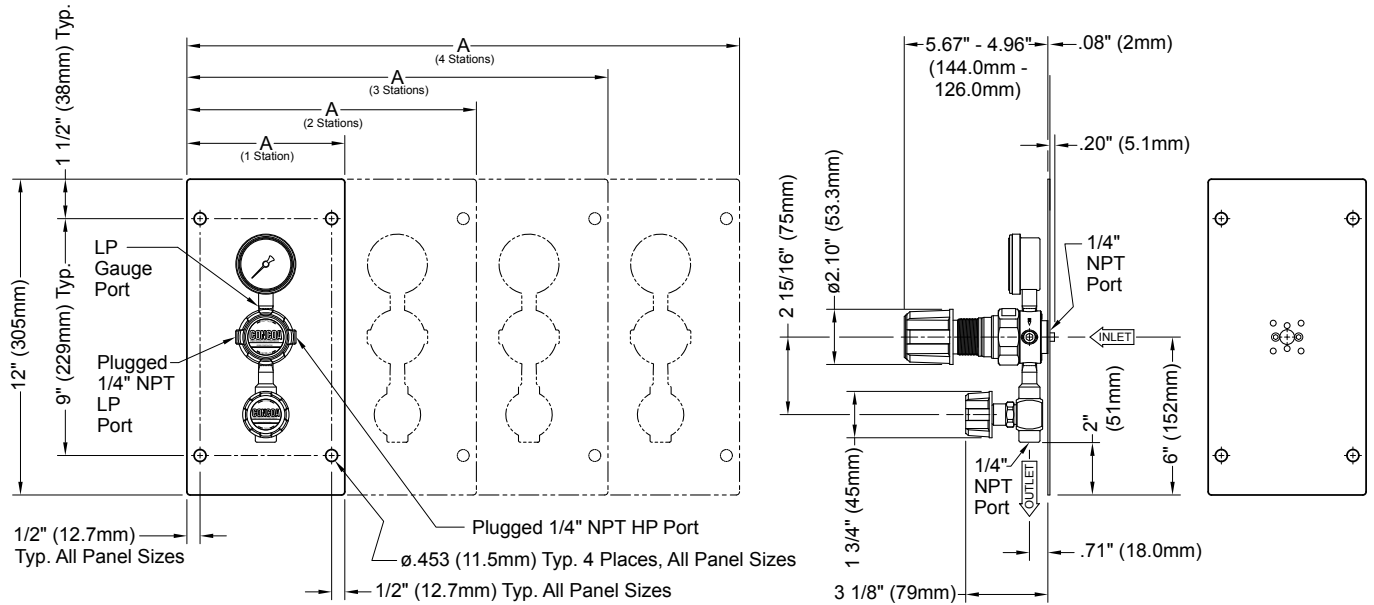
Specifications

- Maximum Inlet Pressure**
3000 PSIG (207 BAR)
- Operating Temp. Range**
-40°F to 140°F (-40°C to 60°C)
- Cv**
0.1 (Max outlet 50 PSIG/3.5 BAR or below)
0.2 (Max outlet above 50 PSIG/3.5 BAR)
- Inlet/Outlet Connection:**
1/4" NPT female
- Gauges**
2" (53mm) brass or stainless steel case
54B brass stem/phosphor bronze tube
54S stainless steel stem and tube
- Panel**
14-gauge 304 stainless steel

Panels



Installation Dimensions



Number of Stations	Length "Dim A"
1	6" (152.4mm)
2	11" (279.4mm)
3	16" (406.4mm)
4	21" (533.4mm)

Ordering Information

54	Material	Station 1		Station 2		Station 3		Station 4	
Series 54		Outlet Pressure	Outlet Gauge	Outlet Pressure	Outlet Gauge	Outlet Pressure	Outlet Gauge	Outlet Pressure	Outlet Gauge
54	B: Brass 435 Series regulators	1: 0-15 PSIG (0-1 BAR)	30"-0-30 PSIG/ 100-0-200 kPa	1: 0-15 PSIG (0-1 BAR)	30"-0-30 PSIG/ 100-0-200 kPa	1: 0-15 PSIG (0-1 BAR)	30"-0-30 PSIG/ 100-0-200 kPa	1: 0-15 PSIG (0-1 BAR)	30"-0-30 PSIG/ 100-0-200 kPa
	S: 316L stainless steel 445 Series regulators	A: 0-15 PSIG (0-1 BAR)	-1-0-2 BAR/ 30"-0-30 PSIG	A: 0-15 PSIG (0-1 BAR)	-1-0-2 BAR/ 30"-0-30 PSIG	A: 0-15 PSIG (0-1 BAR)	-1-0-2 BAR/ 30"-0-30 PSIG	A: 0-15 PSIG (0-1 BAR)	-1-0-2 BAR/ 30"-0-30 PSIG
		2: 0-50 PSIG (0-3.5 BAR)	30"-0-100 PSIG/ -100-0-700 kPa	2: 0-50 PSIG (0-3.5 BAR)	30"-0-100 PSIG/ -100-0-700 kPa	2: 0-50 PSIG (0-3.5 BAR)	30"-0-100 PSIG/ -100-0-700 kPa	2: 0-50 PSIG (0-3.5 BAR)	30"-0-100 PSIG/ -100-0-700 kPa
	B: 0-50 PSIG (0-3.5 BAR)	-1-0-7 BAR/ 30"-0-100 PSIG	B: 0-50 PSIG (0-3.5 BAR)	-1-0-7 BAR/ 30"-0-100 PSIG	B: 0-50 PSIG (0-3.5 BAR)	-1-0-7 BAR/ 30"-0-100 PSIG	B: 0-50 PSIG (0-3.5 BAR)	-1-0-7 BAR/ 30"-0-100 PSIG	
	3: 0-100 PSIG (0-7 BAR)	30"-0-200 PSIG/ -100-0-1400 kPa	3: 0-100 PSIG (0-7 BAR)	30"-0-200 PSIG/ -100-0-1400 kPa	3: 0-100 PSIG (0-7 BAR)	30"-0-200 PSIG/ -100-0-1400 kPa	3: 0-100 PSIG (0-7 BAR)	30"-0-200 PSIG/ -100-0-1400 kPa	
	C: 0-100 PSIG (0-7 BAR)	-1-0-14 BAR/ 30"-0-200 PSIG	C: 0-100 PSIG (0-7 BAR)	-1-0-14 BAR/ 30"-0-200 PSIG	C: 0-100 PSIG (0-7 BAR)	-1-0-14 BAR/ 30"-0-200 PSIG	C: 0-100 PSIG (0-7 BAR)	-1-0-14 BAR/ 30"-0-200 PSIG	
	4: 0-250 PSIG (0-17 BAR)	0-400 PSIG/ 0-2800 kPa	4: 0-250 PSIG (0-17 BAR)	0-400 PSIG/ 0-2800 kPa	4: 0-250 PSIG (0-17 BAR)	0-400 PSIG/ 0-2800 kPa	4: 0-250 PSIG (0-17 BAR)	0-400 PSIG/ 0-2800 kPa	
	D: 0-250 PSIG (0-17 BAR)	0-27 BAR/ 0-400 PSIG	D: 0-250 PSIG (0-17 BAR)	0-27 BAR/ 0-400 PSIG	D: 0-250 PSIG (0-17 BAR)	0-27 BAR/ 0-400 PSIG	D: 0-250 PSIG (0-17 BAR)	0-27 BAR/ 0-400 PSIG	
	5: 0-500 PSIG (0-34 BAR)	0-1000 PSIG/ 0-7000 kPa	5: 0-500 PSIG (0-34 BAR)	0-1000 PSIG/ 0-7000 kPa	5: 0-500 PSIG (0-34 BAR)	0-1000 PSIG/ 0-7000 kPa	5: 0-500 PSIG (0-34 BAR)	0-1000 PSIG/ 0-7000 kPa	
	E: 0-500 PSIG (0-34 BAR)	0-70 BAR/ 1000 PSIG	E: 0-500 PSIG (0-34 BAR)	0-70 BAR/ 1000 PSIG	E: 0-500 PSIG (0-34 BAR)	0-70 BAR/ 1000 PSIG	E: 0-500 PSIG (0-34 BAR)	0-70 BAR/ 1000 PSIG	
	7: 0-150 PSIG (0-10 BAR)	30"-0-200 PSIG/ -100-0-1400 kPa	7: 0-150 PSIG (0-10 BAR)	30"-0-200 PSIG/ -100-0-1400 kPa	7: 0-150 PSIG (0-10 BAR)	30"-0-200 PSIG/ -100-0-1400 kPa	7: 0-150 PSIG (0-10 BAR)	30"-0-200 PSIG/ -100-0-1400 kPa	
	G: 0-150 PSIG (0-10 BAR)	-1-0-14 BAR/ 30"-0-200 PSIG	G: 0-150 PSIG (0-10 BAR)	-1-0-14 BAR/ 30"-0-200 PSIG	G: 0-150 PSIG (0-10 BAR)	-1-0-14 BAR/ 30"-0-200 PSIG	G: 0-150 PSIG (0-10 BAR)	-1-0-14 BAR/ 30"-0-200 PSIG	