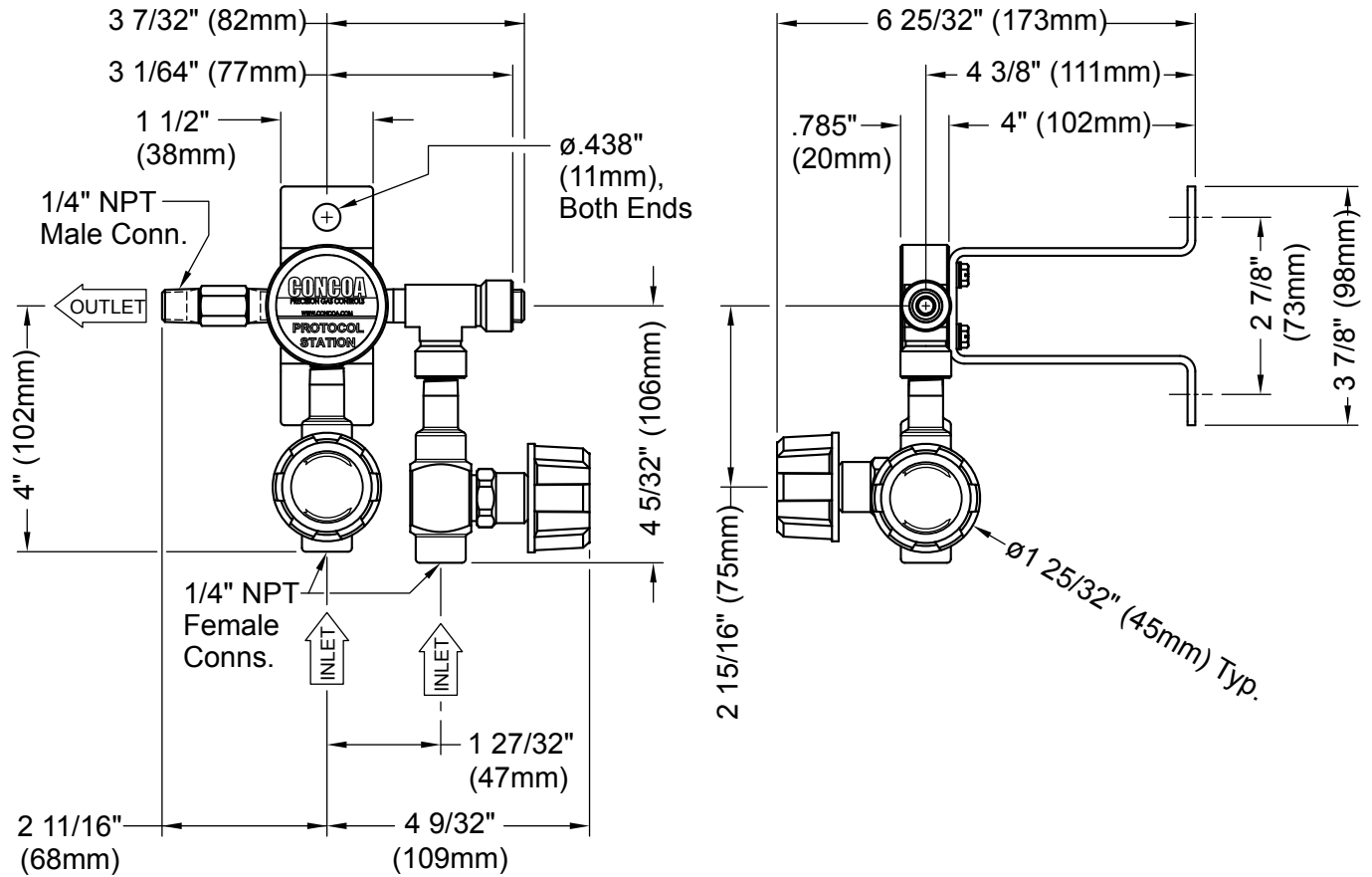


Manifolds



Installation Dimensions



529 0154 Dimensions Shown

Ordering Information

Order Number	Description	Max Inlet
Add letter "C" after any regulator order number.		
For example, to order a 422 1331-580 with a protocol switchover, the order number would be 422 1331-580C		
To order separately:		
529 0154-CON	Protocol switchover station for brass regulators	3500 PSIG (240 BAR)
529 0155-CON	Protocol switchover station for chrome-plated brass regulators	3500 PSIG (240 BAR)
529 0156-CON	Protocol switchover station for 316L stainless steel regulators	3500 PSIG (240 BAR)
529 0157-CON	Protocol switchover station for brass regulators	4500 PSIG (310 BAR)
529 0158-CON	Protocol switchover station for chrome-plated brass regulators	4500 PSIG (310 BAR)
529 0159-CON	Protocol switchover station for 316L stainless steel regulators	4500 PSIG (310 BAR)
529 0160-CON	Protocol switchover station for 316L stainless steel regulators	6000 PSIG (405 BAR)